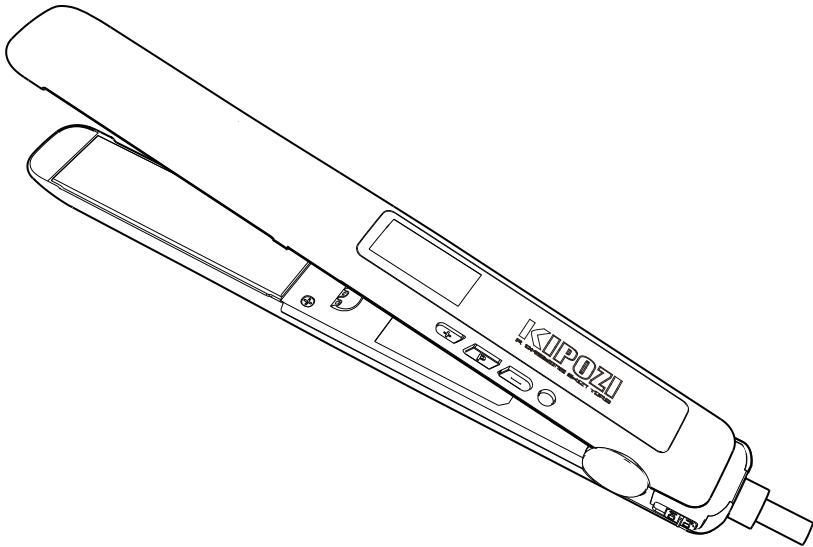


KIPOZI
PROFESSIONAL SALON TOOLS



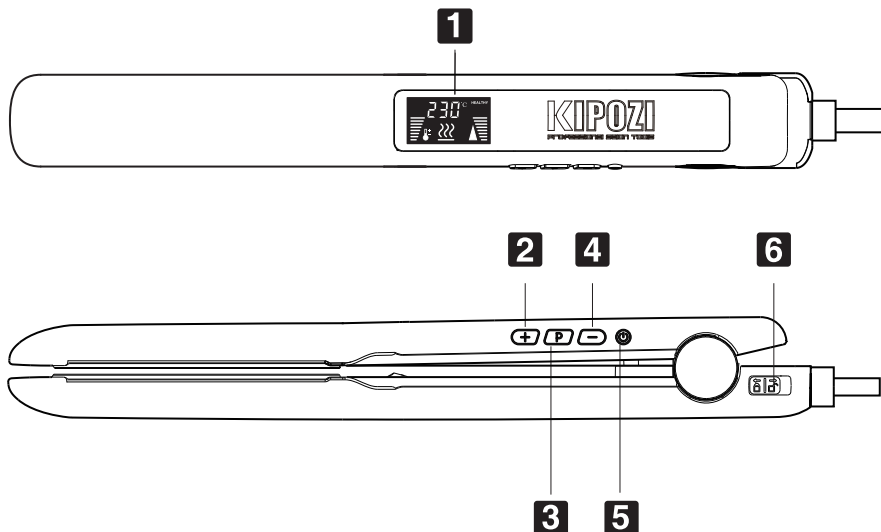
Professional
Nano-Titanium Hair Straightener

K-137

EUROPE ENGLISH

· USER MANUAL ·

PRODUCT DESCRIPTION



- 1** LCD DIGITAL SCREEN
- 2** INCREASE TEMPERATURE
- 3** SHORTCUT KEY
- 4** DECREASE TEMPERATURE
- 5** ON/OFF BUTTON
- 6** SWITCH LOCK BUTTON

TURN ON / OFF

Please plug this styler into a standard socket and hold the ON/OFF button for 3 seconds to turn it on, then digital LCD screen is in standby state and you can use it.

Turn off in the same way by holding ON/OFF button for 3 seconds, the screen will stay "OFF" then you can unplug it.

ABOUT DIGITAL LCD SCREEN STANDBY STATE.

The iron default temperature is 180°C (380°F), you can change it to Celsius or Fahrenheit by pressing the + and - button together.

TEMPERATURE CONTROL

Automatic mode

Press "P" button, We offer 3 kinds of temperature for one button setting :

140°C(270°F) - Usually for fragile hair

180°C(350°F) - Usually for damaged, colored hair

210°C(410°F) - Usually for healthy hair

Manual mode

Adjust the temperature by pressing "+/-" button.

AUTOMATICALLY TURN OFF MODE

The flat iron will enter auto turn off setting mode after you press the ON/OFF button for one second, then you can set an auto off time from 30 mins to 80 mins by pressing "+/-" button.

LOCK AND UNLOCK

This product has a lock button, switch the button to left is locked and to right is unlock.

PLATE TYPE **NANO-TITANIUM**

SCREEN DISPLAY **DIGITAL LCD**

DUAL VOLTAGE **100-240V**

CORD LENGTH **2.5 METERS** FREQUENCY **50/60HZ**

TEMPERATURE SETTING **80°C-230°C(170°F-450°F)**

SAFETY MAINTAINANCE

1. Please use this product under safe voltage, always unplug the device immediately after using.
2. Please let the flat iron cool off before storing.
3. The product is non-waterproof, please make sure your hair is dry or slightly wet while you using it. please do not use it in water environment.
4. Please don't go away during the iron is working. Be attention to keep out of reach of children.
5. This iron should not be used by children alone, unless they are under adult's supervision or instruction.
6. Please don't change the product's condition forcibly when it locked to avoid damaging the product.

Thank you for purchasing the KIPOZI Hair Straightener, we are glad to have you as a customer and we hope you will be more than satisfied with the styling iron. If you love the product, please share your using experience on the product page.

If you have any problem with this product, please do not hesitate to contact us via www.amazon.com > Your Account > Your orders > Find your order and click 'Contact seller', or contact us via (support@kipozi.com), we will be very glad to help you!

FOR ANY QUESTION PLEASE CONTACT US AT:

 FACEBOOK : KIPOZIBEAUTY

 WEBSITE : WWW.KIPOZI.COM

 CONTACT : SUPPORT@KIPOZI.COM