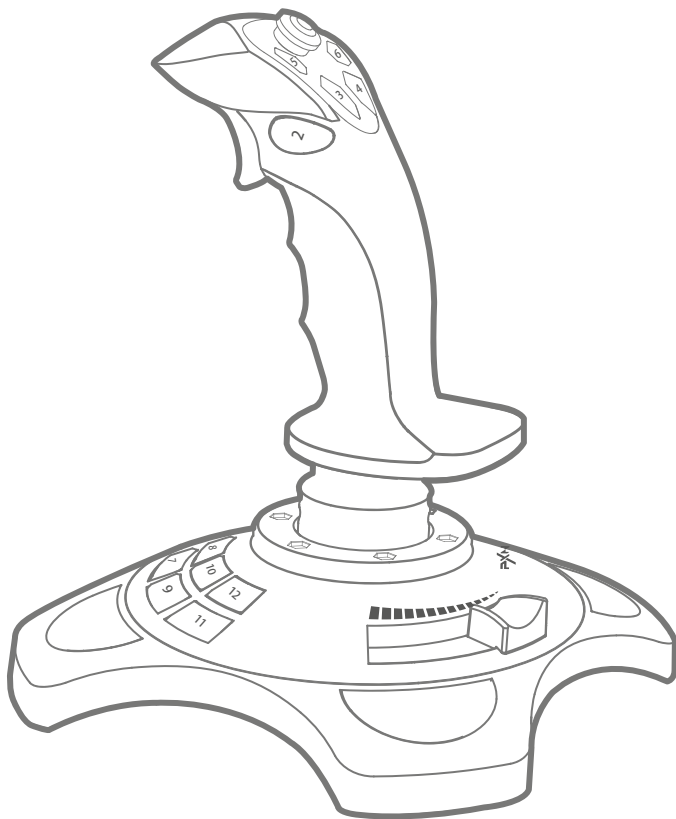




2113 **PRO**

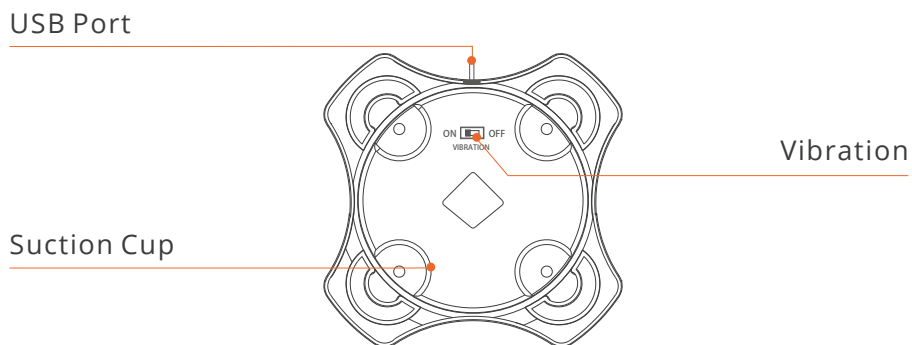
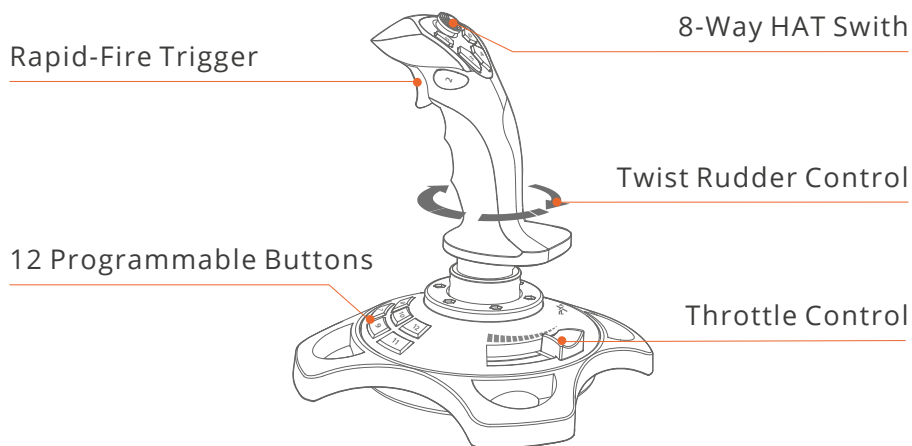


User Manual

SYSTEM REQUIREMENTS

Compatible Platforms	PC
System Requirement on PC	Windows 7/8/10 / 11

PRODUCT OVERVIEW



INSTRUCTIONS

- Installation and Connection

Step 1 Launch PXN official website (www.e-pxn.com) to download and install driver, details show below:

Home → Support → Tools → Find PXNJoystick software to download.

Step 2 Extract the downloaded driver, and install according to instruction.

Step 3 Plug PXN-2113 into PC USB port, computer will prompt new hardware and install automatically.

Step 4 Then you can play game or conduct joystick settings in PXNJoystick.

- PXNJoystick and Tutorial

Scan below QR code can download PXNJoystick and acquire operation tutorial.



QR Code For The Tutorial

The driver works on PC, please download and install on PC.

ATTENTION

- Avoid strong vibration. Do not disassemble, refit or repair on your own.
- Avoid water or other liquid In or around the steering wheel – it may affect the performance of the steering wheel.
- Keep out of humid, high temperature or soot place.
- Children should be under adult’s supervision to use this product.
- Adult supervision is recommended for children's use of this product.

PRODUCT SPECIFICATION

Product Model PXN -2113 Pro

Connect Type USB Wired , cable length around 1.8 meters

Working Current 20mA - 100mA

Packaging Size Appr. 220 * 190 * 250 mm

Product Size Appr. 225 * 185 * 185 mm

Unit Weight Appr. 495 g

Usage Temperature 10 - 40 °C

Usage Humidity 20 ~ 80 %
